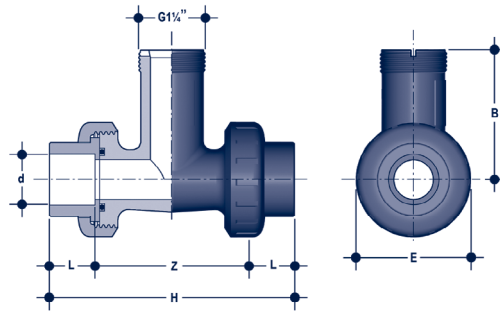


# Installation Fittings for F3.00 Sensors and F3.60/F3.63 Magmeters



## Tees

**Sizes:** 1/2" to 1-1/2"  
**Maximum Pressure:**  
150 psi @ 20°C (70°F).  
See page 45 for  
working pressures at  
higher temperatures.



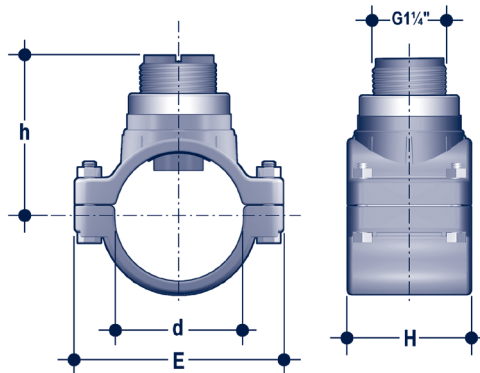
### DIMENSIONS INCHES

Pipe Size	Sensor Length	B	d	E	PVC / EPDM / Socket			PP / EPDM / Threaded			PVDF / Viton® / Socket					
					Item No.	H	Z	L	Item No.	H	Z	L	Item No.	H	Z	L
1/2"	L0	2.87	0.85	2.09	TEA005ES	4.92	3.15	0.89	TEB005ET	4.45	3.05	0.70	TEK005VS	4.37	3.23	0.57
3/4"	L0	3.15	1.06	2.44	TEA007ES	5.51	3.50	1.00	TEB007ET	4.96	3.54	0.71	TEK007VS	4.74	3.48	0.63
1"	L0	3.19	1.33	2.80	TEA010ES	6.04	3.78	1.13	TEB010ET	5.49	3.71	0.89	TEK010VS	5.26	3.82	0.71
1-1/4"	L0	3.31	1.67	3.31	TEA012ES	7.34	4.80	1.26	TEB012ET	6.69	4.84	0.93	TEK012VS	6.36	4.74	0.81
1-1/2"	L0	3.25	1.91	3.86	TEA015ES	8.15	5.39	1.38	TEB015ET	7.83	5.59	1.12	TEK015VS	7.62	5.77	0.93

PVC ends are ANSI socket. PP tees are female NPT and PVDF tees have DIN socket ends. Other ends available are socket, threaded or flanged in all materials, butt fusion ends (B) for PP and PVDF, and CPVC socket ends for installing PP tees in CPVC pipes. Standard elastomer seals are EPDM or Viton®. Other materials are available.

## Bolt-On Saddles

**Sizes:** 2" to 12"  
**Maximum Pressure:**  
150 psi @ 20°C (70°F).  
Use the insert material for  
determination of  
working pressures at  
higher temperatures.  
See page 45.



### DIMENSIONS INCHES

Size	Sensor Length	Materials		d	E	h	H	Hole Diameter in Pipe		
		Saddle / Insert / Seal	Item No.						Saddle / Insert / Seal	Item No.
2"	L0	CPVC / CPVC / EPDM†	SACC020E	CPVC / PVDF / Viton®	SACK020V	2.375	4.57	3.3	4.13	1-3/8"
2-1/2"	L0	CPVC / CPVC / EPDM†	SACC025E	CPVC / PVDF / Viton®	SACK025V	2.875	5.28	3.4	4.13	1-3/8"
3"	L0	CPVC / CPVC / EPDM†	SACC030E	CPVC / PVDF / Viton®	SACK030V	3.500	5.98	3.6	4.13	1-9/16"
4"	L0	CPVC / CPVC / EPDM†	SACC040E	CPVC / PVDF / Viton®	SACK040V	4.500	6.93	4.0	4.13	1-9/16"
6"	L1	CPVC / CPVC / EPDM†	SACC060E	CPVC / PVDF / Viton®	SACK060V	6.625	9.37	5.9	4.72	1-9/16"
8"	L1	CPVC / CPVC / EPDM†	SACC080E	CPVC / PVDF / Viton®	SACK080V	8.625	13.11	6.6	4.92	1-9/16"
10"	L1	PP / CPVC / Nitrile	SABC100N	PP / PVDF / Nitrile	SABK100N	10.750	15.15	8.35	3.46	1-9/16"
12"	L1	PP / CPVC / Nitrile	SABC120N	PP / PVDF / Nitrile	SABK120N	12.750	15.15	8.66	3.46	1-9/16"

† Viton® seals are also available.

# Installation Fittings for F3.00 Sensors and F3.60/F3.63 Magmeters

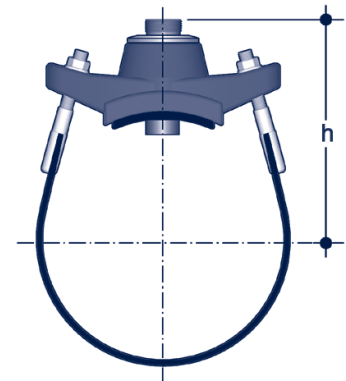


## Metal Strap-On Saddles

**Pipe Sizes:** 3" to 18"  
**Body Materials:** Cast Iron/Stainless Steel  
**Insert Materials:** CPVC  
**Seals:** Nitrile (NBR)  
**Maximum Pressure:** 150 psi @ 20°C (70°F). See page 45.

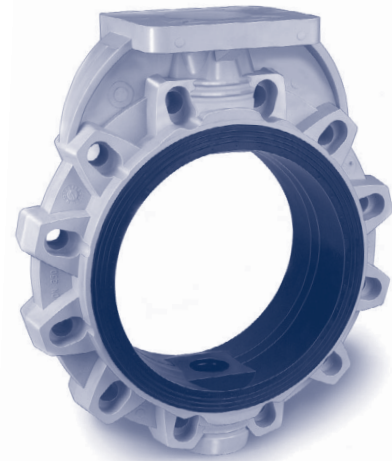
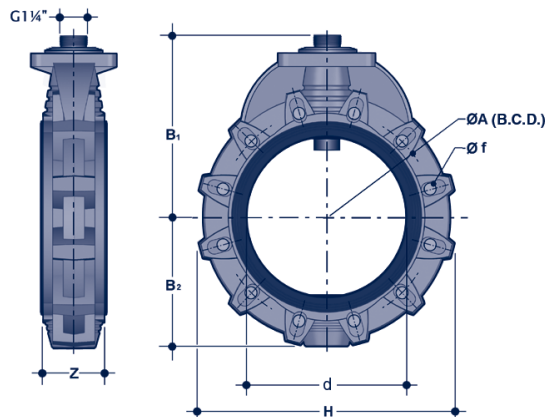
### DIMENSIONS

Pipe Size	Sensor Length	Item No.	OD (mm)		OD (inches)		h (inches)	Drilling Hole
			Min.	Max.	Min.	Max.		
3"	L0	MSS030N	88	104	3.5	4.1	4.64	1-5/8"
4"	L0	MSS040N	112	126	4.4	5.0	4.92	1-5/8"
5"	L0	MSS050N	140	154	5.5	6.1	5.15	1-5/8"
6"	L0	MSS060N	168	184	6.6	7.2	5.63	1-5/8"
8"	L1	MSS080N	218	244	8.6	9.6	7.56	1-5/8"
10"	L1	MSS100N	272	295	10.7	11.6	8.26	1-5/8"
12"	L1	MSS120N	322	354	12.7	13.9	9.01	1-5/8"
14"	L1	MSS140N	356	414	14.0	16.3	9.72	1-5/8"
16"	L1	MSS160N	406	472	16.0	18.6	11.22	1-5/8"
18"	L1	MSS180N	457	534	18.0	21.0	11.97	1-5/8"



## Wafer Fittings

**Pipe Sizes:** 10" and 12"  
**Body Materials:** PVC, PPG (Glass Reinforced PP)  
**Insert Material:** CPVC  
**Seals:** EPDM, Viton®  
**Maximum Pressure @ 20°C (70°F):** 10"–150 psi, 12"–115 psi



### DIMENSIONS INCHES

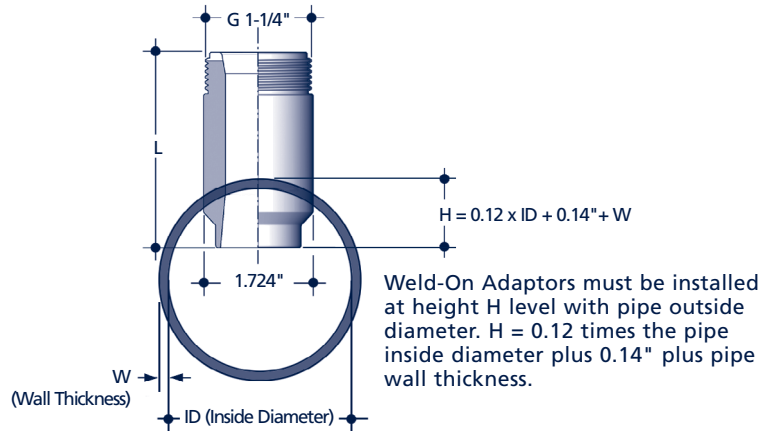
Pipe Size	Sensor Length	Body / Seal Material				d	H	Z	B <sub>1</sub>	B <sub>2</sub>	A Min.	A Max.	f
		PVC / EPDM	PVC / Viton®	PPG / EPDM	PPG / Viton®								
10"	L0	WFA100E	WFA100V	WFB100E	WFB100V	11.0	15.9	4.5	10.6	8.3	13.2	14.3	1.0
12"	L0	WFA120E	WFA120V	WFB120E	WFB120V	12.4	18.7	4.5	12.9	9.6	15.4	17.0	1.1

# Installation Fittings for F3.00 Sensors and F3.60/F3.63 Magmeters



## Weld-On Adaptors

**Pipe Sizes:** 1-1/2" to 24"  
**Body Materials:** 316 Stainless Steel, Carbon Steel, Brass, PE.  
 Other materials are available upon request.  
**Maximum Pressure:** 365 psi with metal sensor. See page 45.

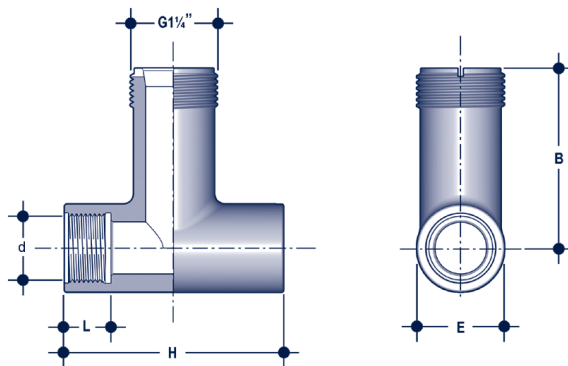


### DIMENSIONS INCHES

Pipe Size	Sensor Length	Item No.	L	D
1-1/2" to 8"	L0	WOSS-L0	2.70	1.724
10" to 24"	L1	WOSS-L1	3.88	1.724

## 316 Stainless Steel Threaded Tees

**Sizes:** 3/4" to 1-1/4" NPT female thread.  
**Maximum Pressure:** 365 psi with metal sensor. See page 45.



### DIMENSIONS INCHES

Pipe Size	Sensor Length	Item No.	d	H	L	B	E
3/4"	L0	TES007T-NPT	3/4"	3.74	0.79	3.20	1.65
1"	L0	TES010T-NPT	1"	4.13	0.88	3.20	1.65
1-1/4"	L0	TES012T-NPT	1-1/4"	4.72	0.81	3.30	2.12

# Installation Fittings for F111 Hot-Tap Sensor and F3.61 Magmeters



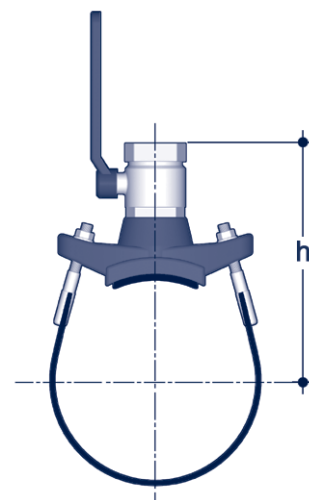
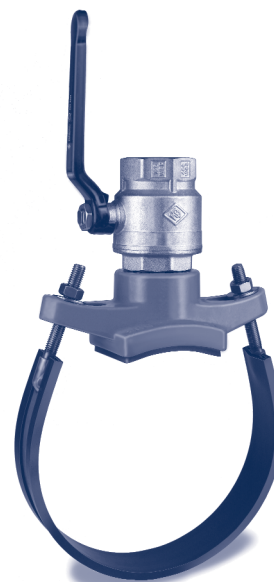
## Hot-Tap Metal Strap-on Saddles

Includes 2" brass ball valve with BSP female threaded ends to connect directly to the F111 flow sensor. See pages 17 and 18.

- Pipe Sizes:** 3" to 18"
- Body Materials:** Cast Iron/Stainless Steel
- Seals:** Nitrile (NBR)
- Maximum Pressure:** 150 psi
- Maximum Temperature:** 80°C (176°F), same as the sensor

### DIMENSIONS

Pipe Size	Item No.	OD (mm)		OD (inches)		h (inches)
		Min.	Max.	Min.	Max.	
3"	MSS030N-HT	88	104	3.5	4.1	7.28
4"	MSS040N-HT	112	126	4.4	5.0	7.83
5"	MSS050N-HT	140	154	5.5	6.1	8.62
6"	MSS060N-HT	168	184	6.6	7.2	9.13
8"	MSS080N-HT	218	244	8.6	9.6	10.31
10"	MSS100N-HT	272	295	10.7	11.6	11.22
12"	MSS120N-HT	322	354	12.7	13.9	12.32
14"	MSS140N-HT	356	414	14.0	16.3	13.30
16"	MSS160N-HT	406	472	16.0	18.6	14.01
18"	MSS180N-HT	457	534	18.0	21.0	15.35

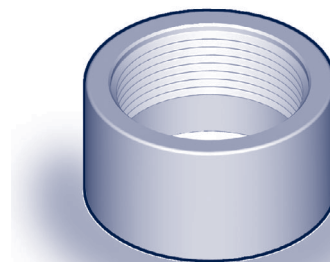
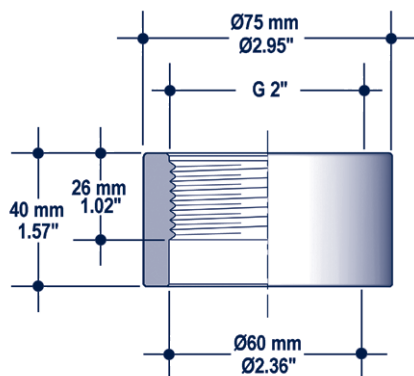


## Hot-Tap 316L Stainless Steel Weld-On Adaptors

2" ball valve is not included but is required. Consult Chemline.

### DIMENSIONS INCHES

Pipe Size Min.	Item No.	OD Min.	Connection Size (BSP)
16"	WOSS-HT	15.75	2.00"



## for Type 3.00 Sensors

Plugs are used to cap off tees or saddles (see pages 38-39) after a sensor is removed for relocation, repair or pipeline maintenance.

**Materials:** PVC, CPVC, PP, PVDF

**Seals:** EPDM, Viton®

**Maximum Pressure:**

150 psi @ 20°C (70°F). See page 45 for working pressures at higher temperatures.

### MATERIALS

Item No.	Body Material	O-Ring
PLUGAE	PVC	EPDM
PLUGAV	PVC	Viton®
PLUGCE	CPVC	EPDM
PLUGCV	CPVC	Viton®
PLUGBE	PP	EPDM
PLUGBV	PP	Viton®
PLUGKV	PVDF	Viton®

